

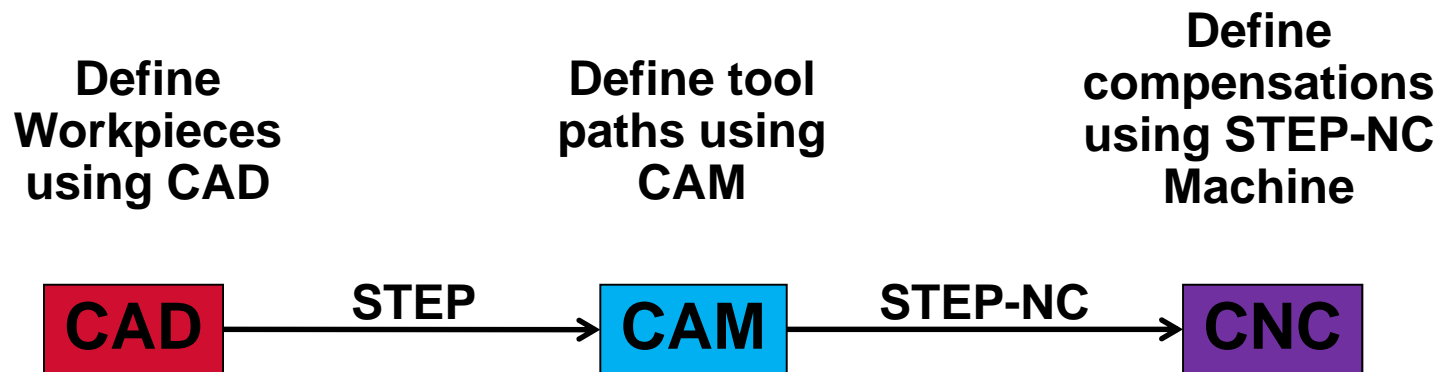
Closed Loop Programming using the STEP-NC Explorer

Demo 2

STEP Tools, Inc.

14 First Street, Troy, NY 12180
(518) 687-2848 / (518) 687-4420 fax
<http://www.steptools.com>

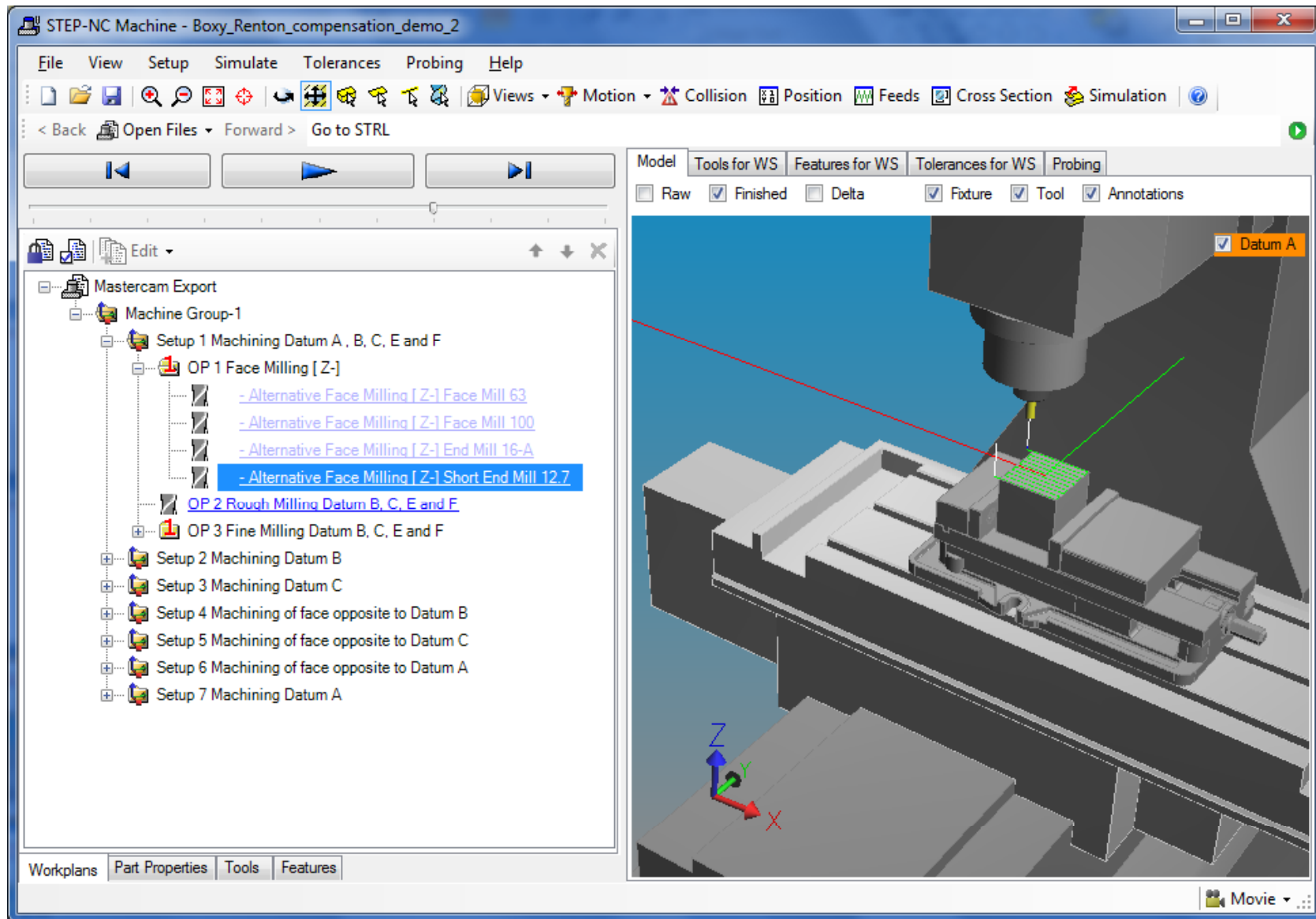
- Closed Loop demo 1 shows how to read measurements and adjust setups.
- Demo 2 shows how to add compensation workingsteps to a STEP-NC data set.



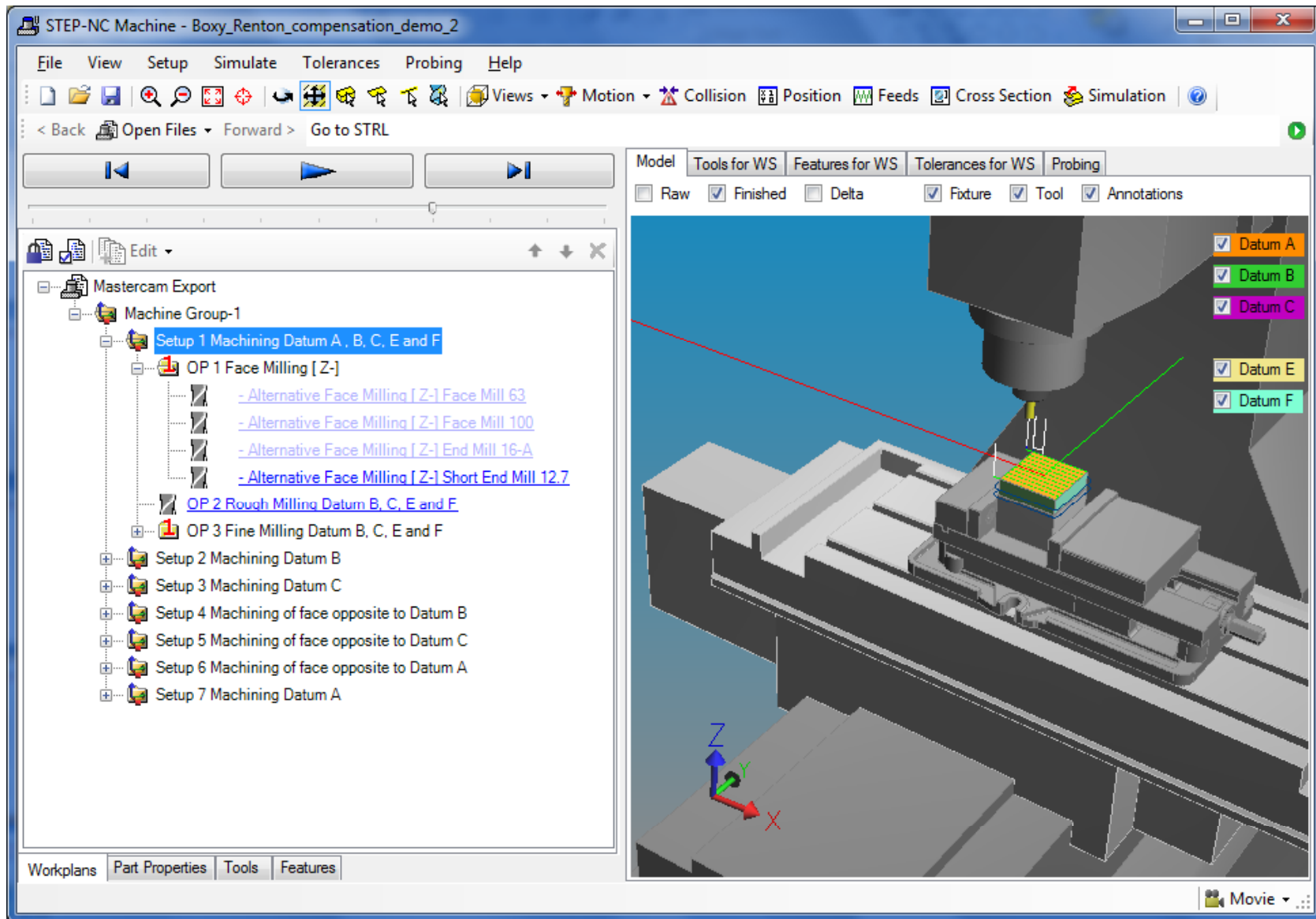
- **A frame measures part of the machine against three datum's.**
 - **First we add a Frame Definition workingstep to the program**
 - » **Give it a name**
 - » **Pick three faces on the part**
 - **Second we put the workingstep in the correct location**
 - » **Move it down to the correct point in the sequence**

Load the demo_2 data set

STEP Tools, Inc.



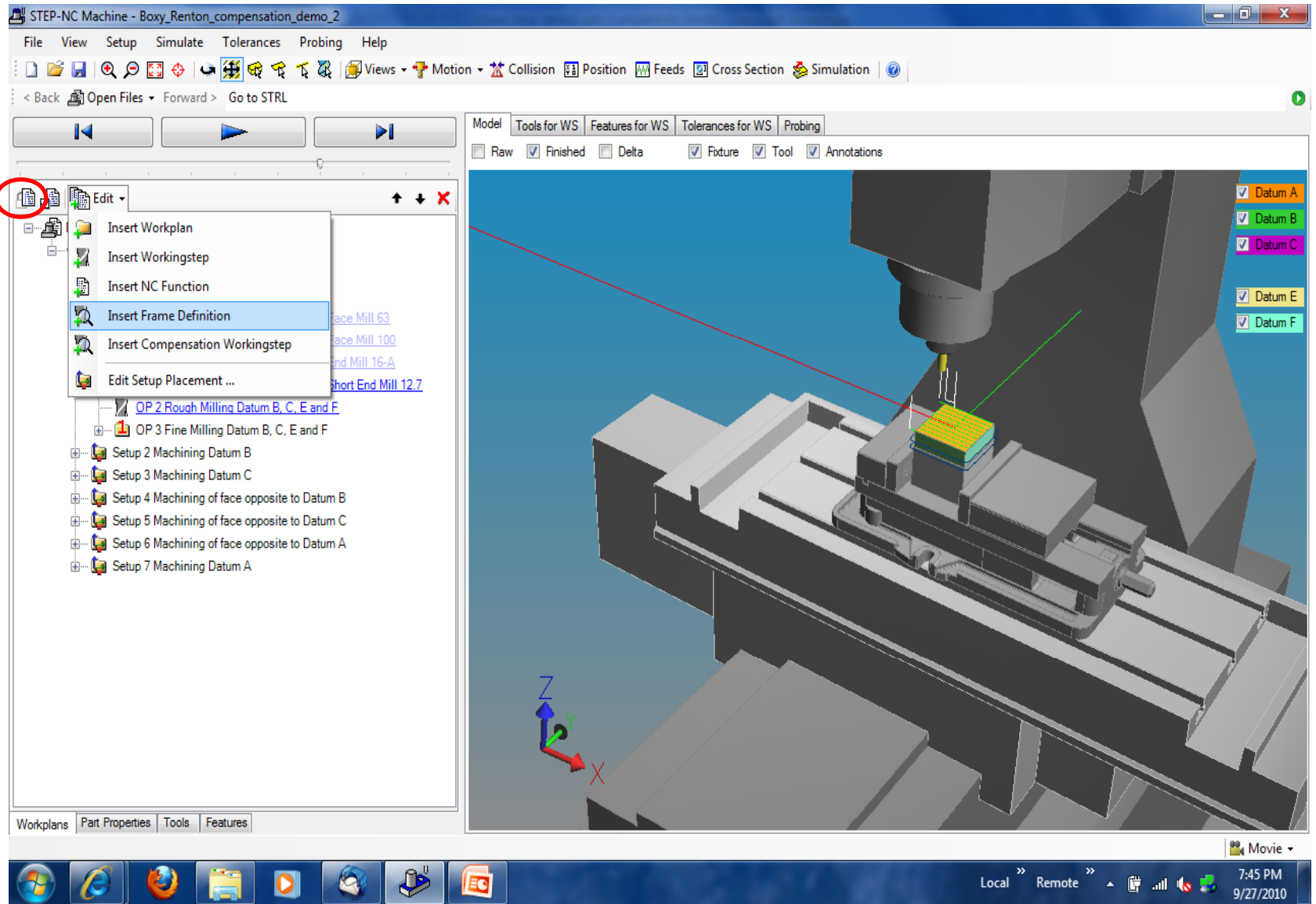
Pick the first setup



Unlock the editor and pick insert frame

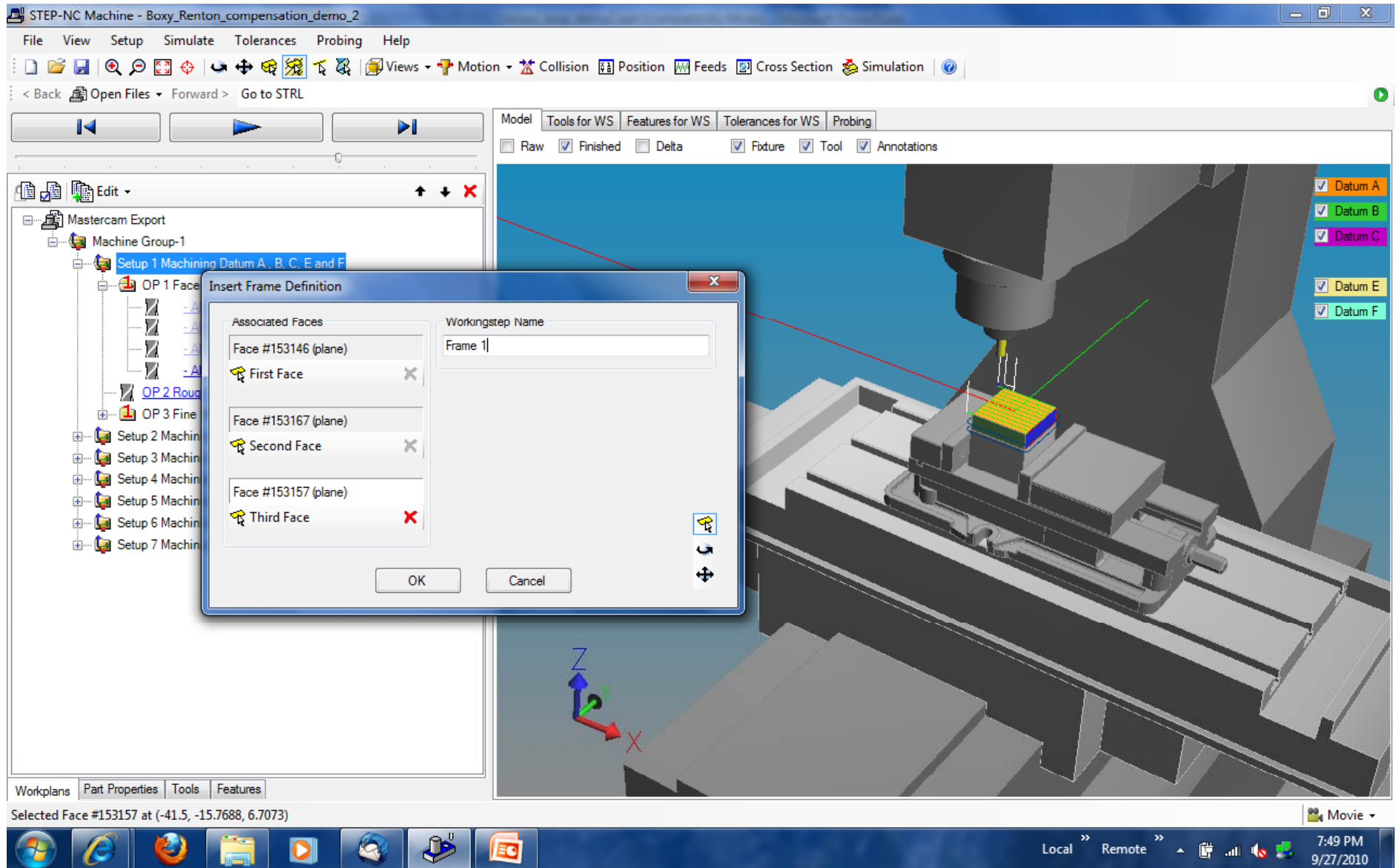
STEP Tools, Inc.

Unlock



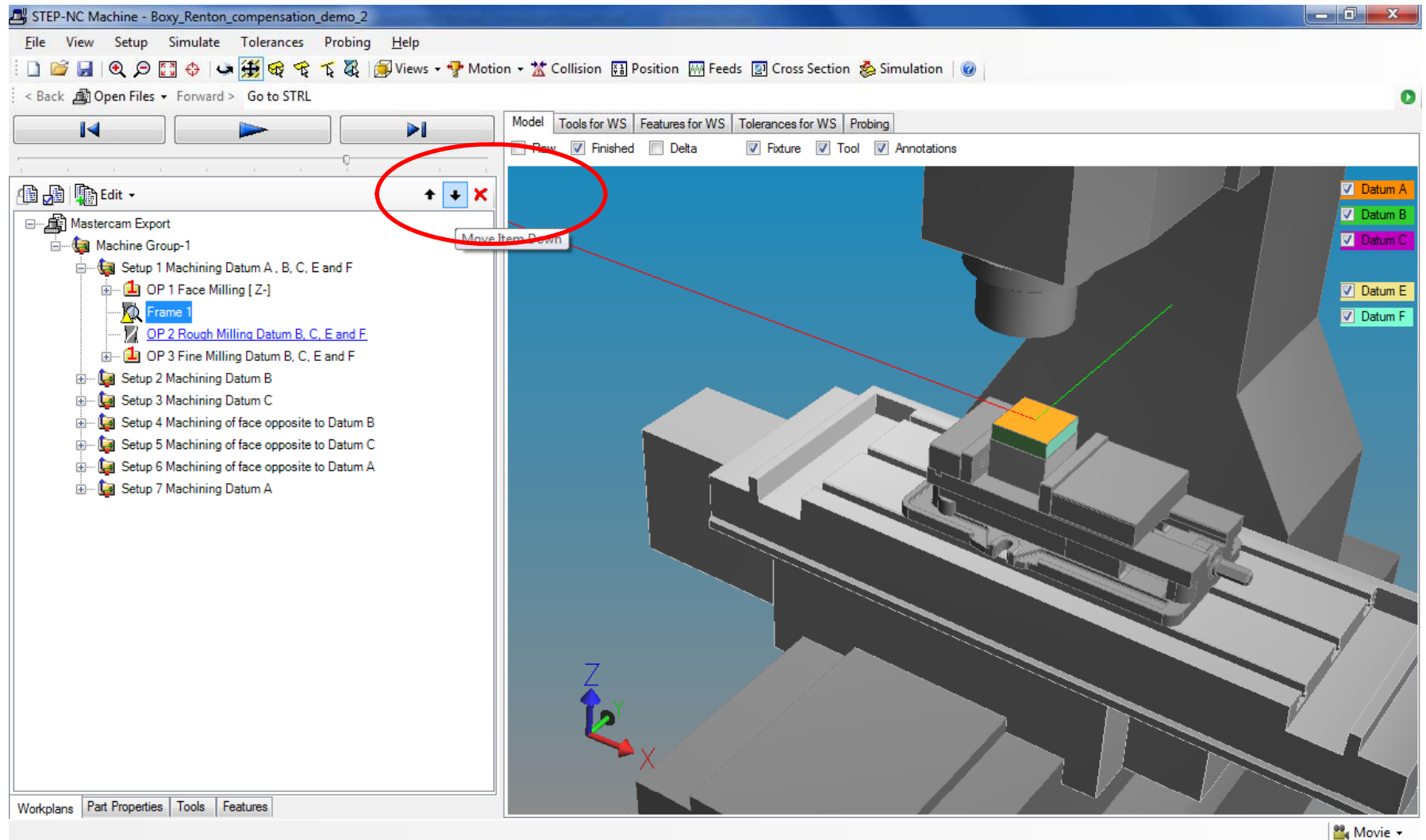
Pick three faces (top, front and right)

STEP Tools, Inc.

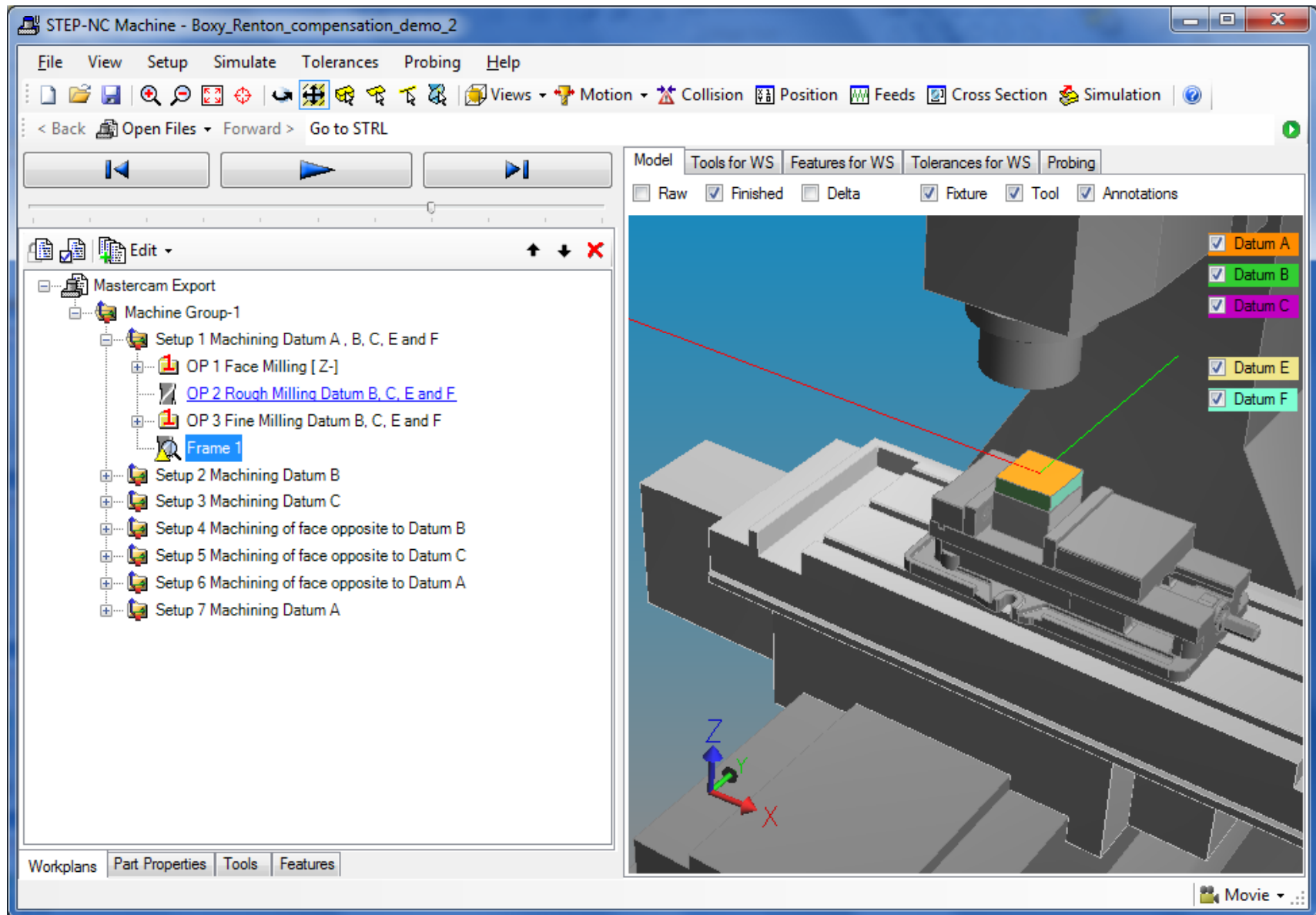


Pick move item down to move it down

STEP Tools, Inc.



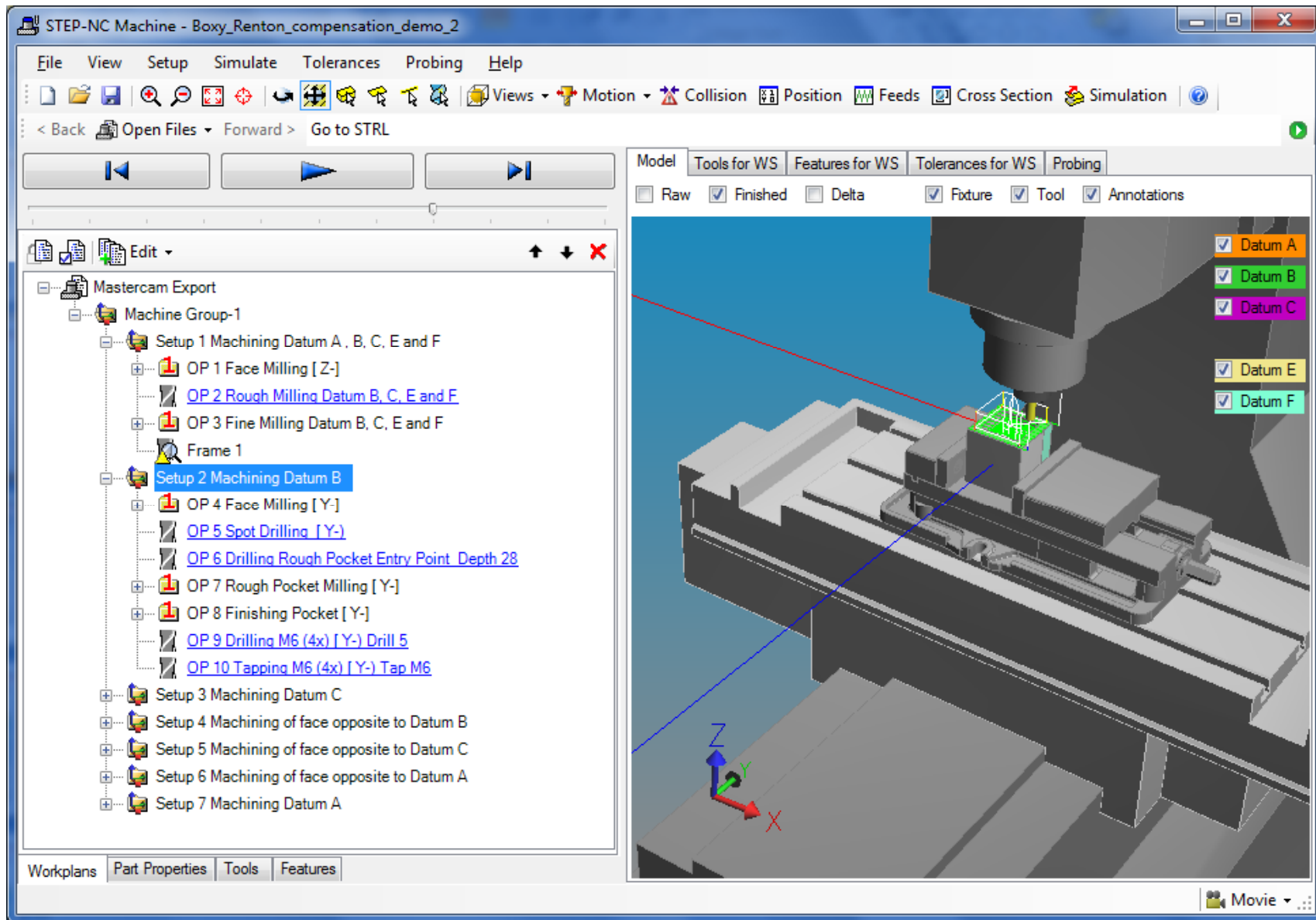
Keep moving until it is at the end of the setup **STEP** Tools, Inc.



- **A compensation uses a frame to define the new location of a part**
 - **Pick the workpiece model that is going to be measured**
 - » **Select the second setup**
 - » **Select the as-is model (before machining)**
 - **Insert a compensation workingstep**
 - » **Give the step a name**
 - » **Pick three faces on the workpiece**

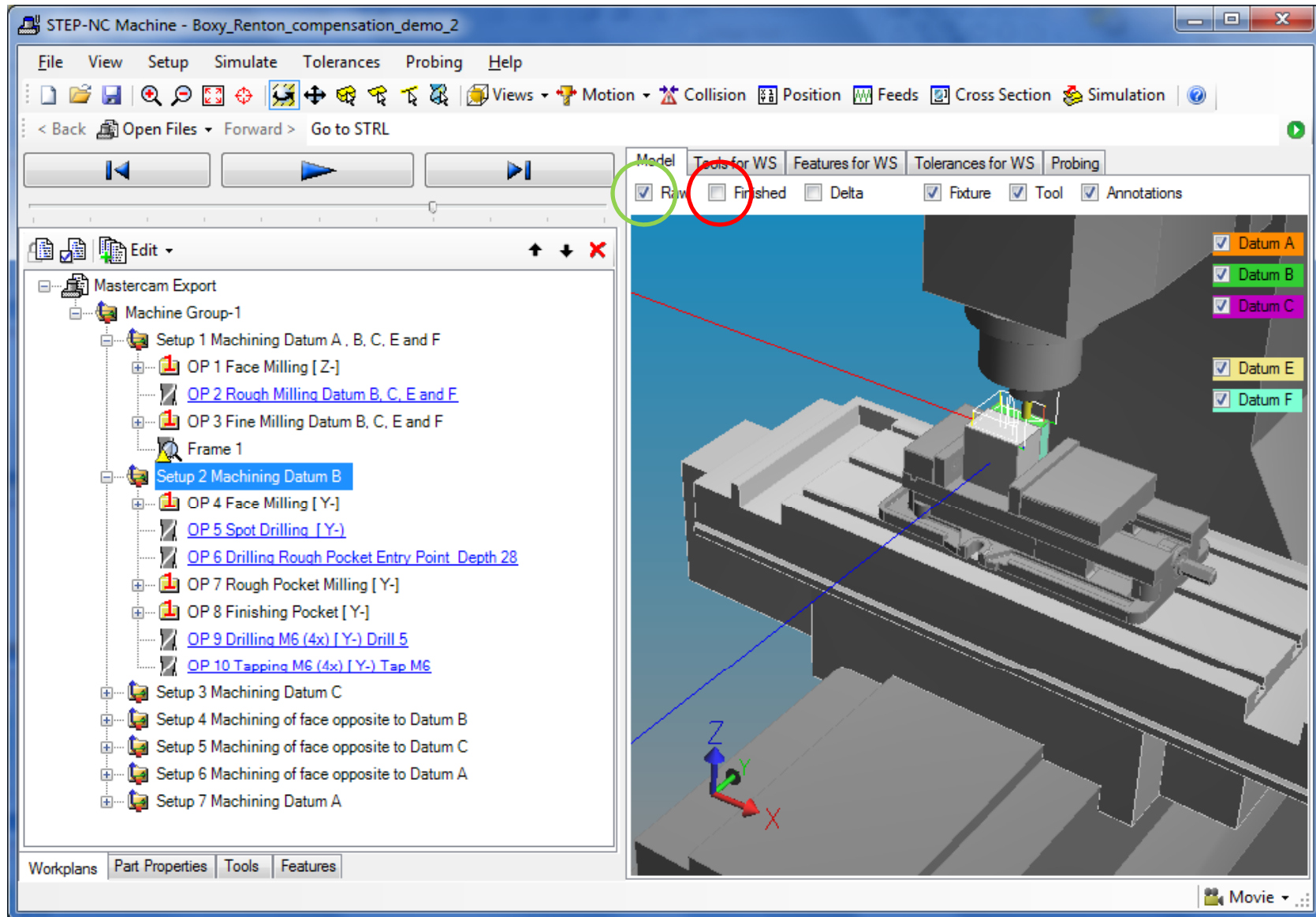
Pick the second setup

STEP Tools, Inc.



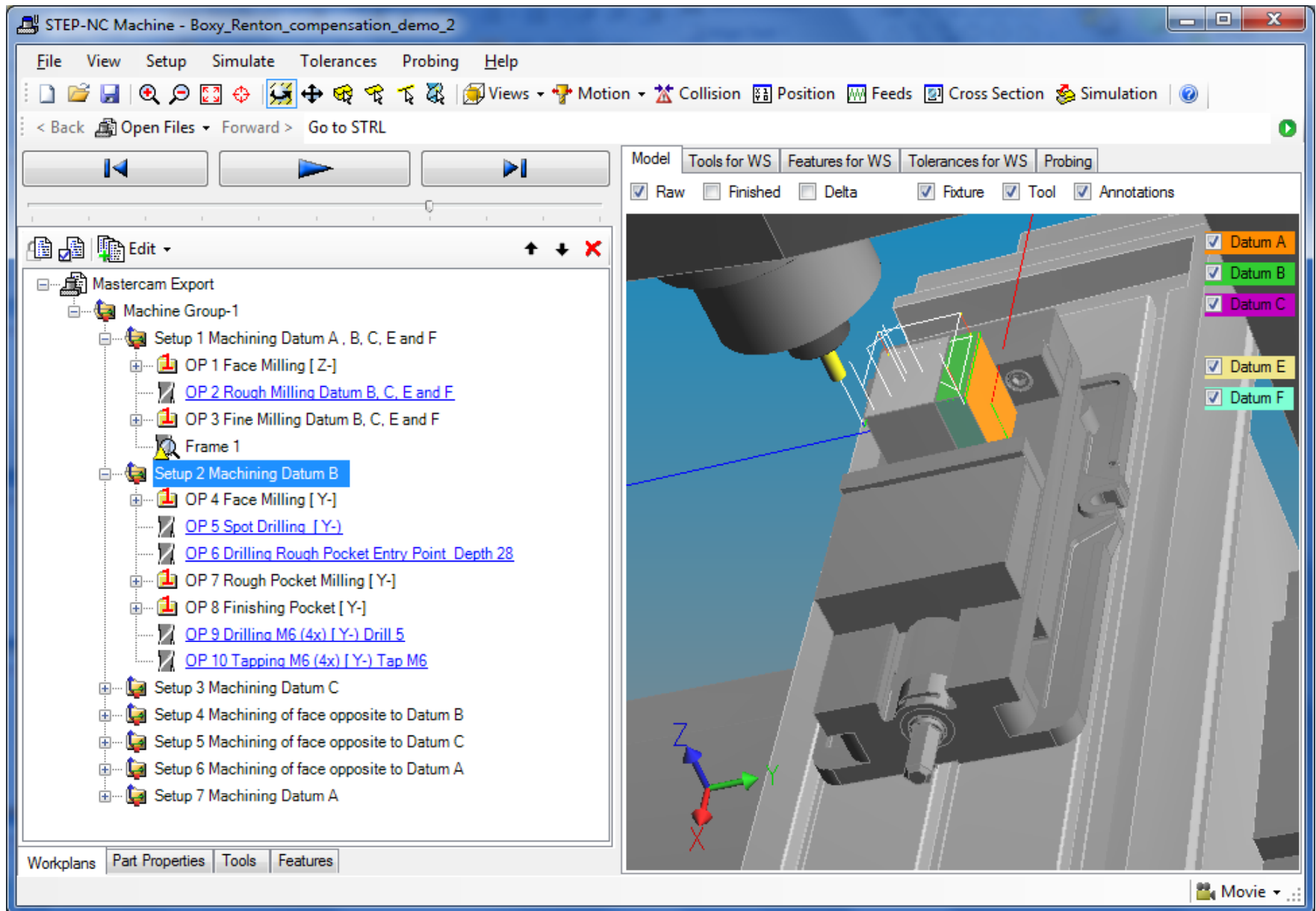
Turn Raw on and Finished off

STEP Tools, Inc.



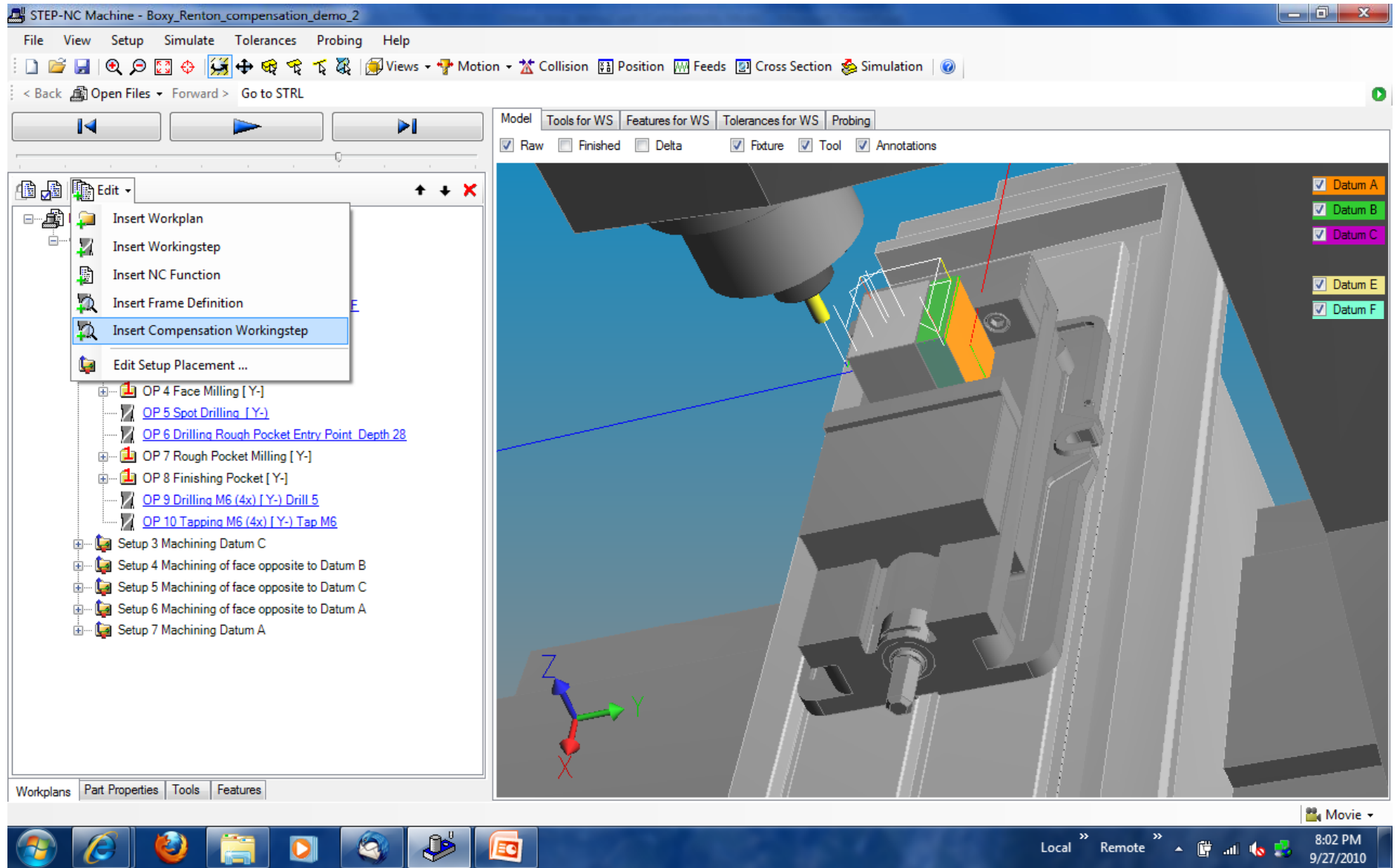
Rotate so that you can see three datum's

STEP Tools, Inc.

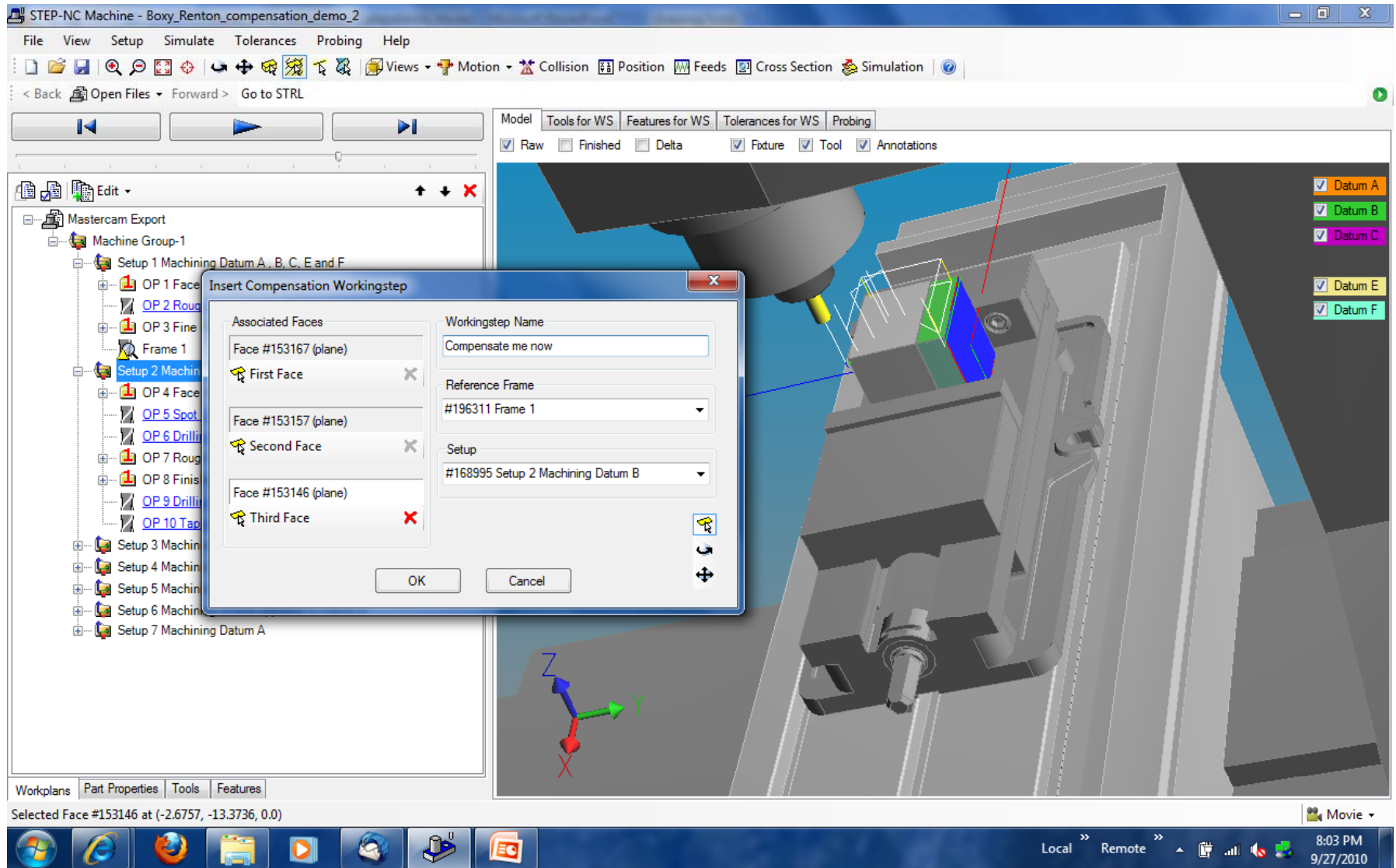


Pick Edit and Insert Compensation

STEP Tools, Inc.



Pick the three faces in the order they will be measured **STEP** Tools, Inc.



Congratulations you have made demo 2 into demo 1

STEP Tools, Inc.

